



INT-422-P2P-D/S

RS422 Interfaces (for CHAMELEON network)

INSTALLATION MANUAL

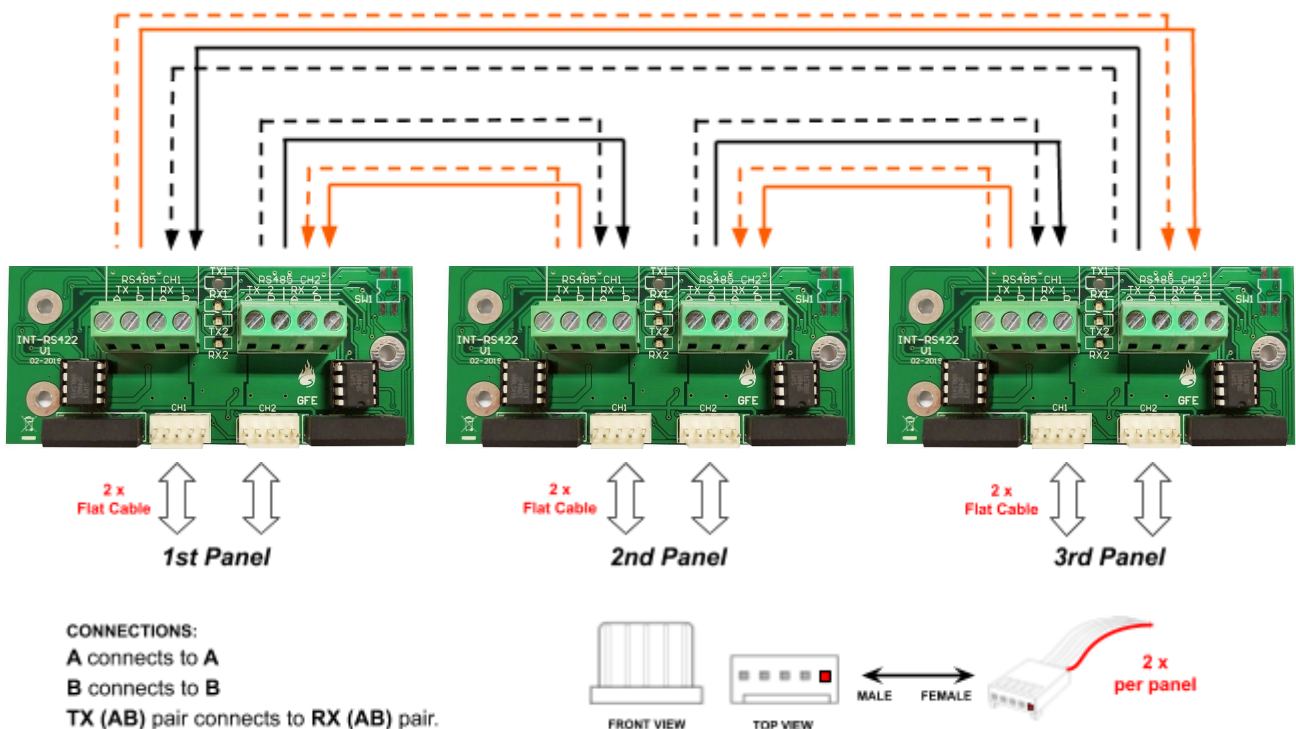
Introduction

The **INT-422-P2P-D** interface allows double peer-to-peer RS422 connection, making it possible to build a closed loop, “daisy-chained” communication network between GFE's **CHAMELEON Panels** (GEKKO, OCTO+, NODE+ and CHAMELEON REPEATER).

The **INT-422-P2P-S** interface allows one single RS422 connection. Mainly used for integration to 3rd party BMS systems or for a single extension connection to a CHAMELEON Display.

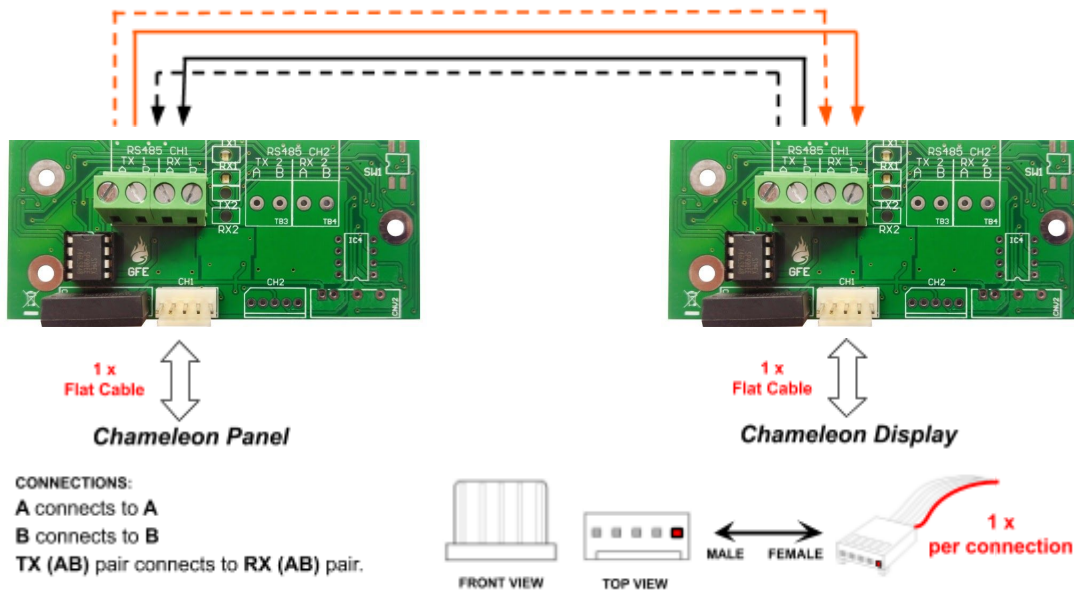
For more detailed information, such as commissioning, network topology options and installation troubleshooting, please refer to the **CHAMELEON Network Manual** or contact our Technical support team.

The following image shows a standard wiring connection between 3 panels in a “closed loop” fully redundant connection.





The following image shows a single wiring connection, normally used for CHAMELEON Display extension or BMS connection.



WARNING

Disconnect all power sources including primary (electrical mains) and secondary (batteries) supplies, before connecting or disconnecting interface modules.

WARNING

Electro-static sensitive devices (ESD)
 Take suitable ESD precautions when removing or installing printed circuit boards.

TECHNICAL SPECIFICATIONS	
POWER SUPPLY RATING	24V DC (17V to 30V DC)
SUPPLY CURRENT	14 mA
RECOMMENDED CABLE	Category 5 cable as defined by the EIA/TIA/ANSI 568 specification (<17 pF/ft @ 100 ohm)
MAXIMUM CABLE DISTANCE	1200m per connection
OPERATING/ STORAGE TEMPERATURE	-10°C to 50°C
HUMIDITY	Max 85% RH Non-Condensing
PROTECTION	IP30
DIMENSIONS / WEIGHT	90 (L) x 40 (H) x 20 (W) mm / 33 g
COMPATIBILITY	All CHAMELEON Panels (GEKKO, OCTO+, NODE+, CHAMELEON REP)

ORDER CODE	
INT-422-P2P-D	RS422 DOUBLE (double channel for CHAMELEON CLOSED LOOP)
INT-422-P2P-S	RS422 SINGLE (single channel used on BMS or CHAMELEON DISPLAY)

GLOBAL FIRE EQUIPMENT S.A.

Sítio dos Barrabés, Armazém Nave Y, Caixa Postal 908-Z, 8150-016 São Brás de Alportel - PORTUGAL
Tel: +351 289 896 560 • Sales: sales@globalfire.pt • Technical Support: techs@globalfire.pt • www.globalfire.pt