



# INT-FO-P2P-D/S

## Fiber Optic Interfaces (for CHAMELEON network)

### INSTALLATION MANUAL

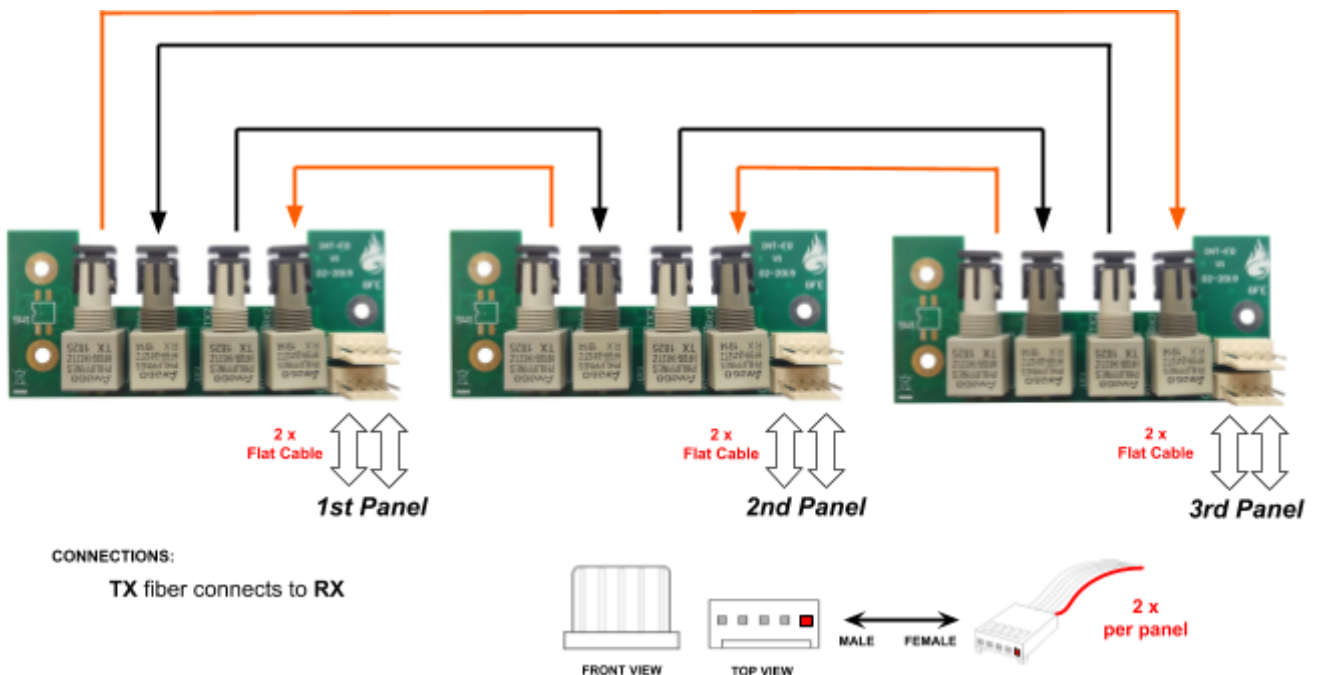
#### Introduction

The **INT-FO-P2P-D** interface allows double peer-to-peer Fiber Optic connection, making it possible to build a closed loop, “daisy-chained” communication network between GFE's **CHAMELEON Panels** (GEKKO, OCTO+, NODE+ and CHAMELEON REPEATER).

The **INT-FO-P2P-S** interface allows one single Fiber Optic connection. Mainly used for integration to 3rd party BMS systems or for a single extension connection to a CHAMELEON Display.

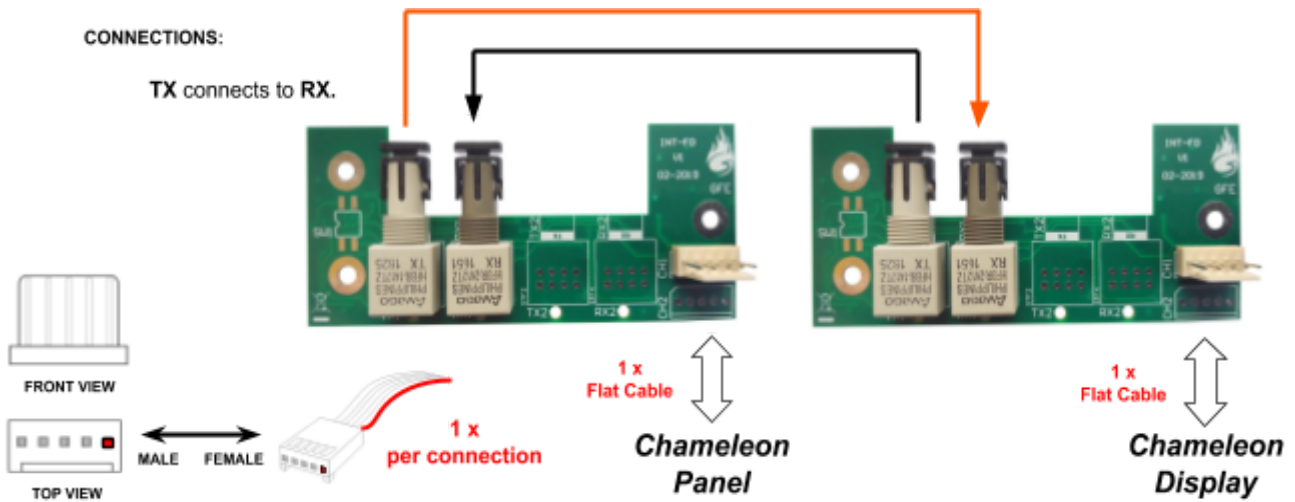
For more detailed information, such as commissioning, network topology options and installation troubleshooting, please refer to the **CHAMELEON Network Manual** or contact our Technical Support team at [techs@globalfire.pt](mailto:techs@globalfire.pt)

The following image shows a standard wiring connection between 3 panels in a “closed loop” fully redundant connection.





The following image shows a single wiring connection, normally used for CHAMELEON Display extension or BMS connection.



**WARNING**

Disconnect all power sources including primary (electrical mains) and secondary (batteries) supplies, before connecting or disconnecting interface modules.



**WARNING**

Electro-static sensitive devices (ESD)  
Take suitable ESD precautions when removing or installing printed circuit boards.

**TECHNICAL SPECIFICATIONS**

POWER SUPPLY RATING	24V DC (17V to 30V DC)
SUPPLY CURRENT	15 mA
RECOMMENDED CABLE / CONNECTOR	Multi-mode 62.5/125 µm with ST Connector
MAXIMUM CABLE DISTANCE	2500m per connection
OPERATING/ STORAGE TEMPERATURE	-10°C to 50°C
HUMIDITY	Max 85% RH Non-Condensing
PROTECTION	IP30
DIMENSIONS	90 (L) x 40 (H) x 20 (W) mm
WEIGHT	33 g
COMPATIBILITY	All CHAMELEON Panels (GEKKO, OCTO+, NODE+, CHAMELEON-REP)

**ORDER CODE**

<b>INT-FO-P2P-D</b>	FO DOUBLE (double channel for CHAMELEON CLOSED LOOP)
<b>INT-FO-P2P-S</b>	FO SINGLE (single channel used on BMS or CHAMELEON DISPLAY)

**GLOBAL FIRE EQUIPMENT S.A.**

Sítio dos Barrabés, Armazém Nave Y, Caixa Postal 908-Z, 8150-016 São Brás de Alportel - PORTUGAL  
Tel: +351 289 896 560 • Sales: sales@globalfire.pt • Technical Support: techs@globalfire.pt • www.globalfire.pt